



LEHRY VALVES

Where flow and pressure meets quality

PN 40 BUTTERFLY VALVE

LEHRY MAKE Butterfly valves are most suitable for wide range of industrial applications. These Valves can be integrated with a consistent range of actuators to create complete flow control packages. Versatile ranges of resilient seated quarter turn butterfly valves are available in various configurations and materials to match critical applications. Higher end quality inspection ensures 100% compliance of safety measures, specified pressure rating and each valve assures tight shut-off.

Features :-

- ❖ No pins between shaft and disk connection; this eliminates the possibility of electrolytic corrosion
- ❖ Self lubricated plain bearings for both drive and non-drive end shaft ensures minimum bearing friction torque
- ❖ Choice of seat and disc material to suit media and service requirements
- ❖ Adaptability to lift between companion flanges for all popular flanges standards for water style body
- ❖ Extended stem design for insulated line.

APPLICATIONS

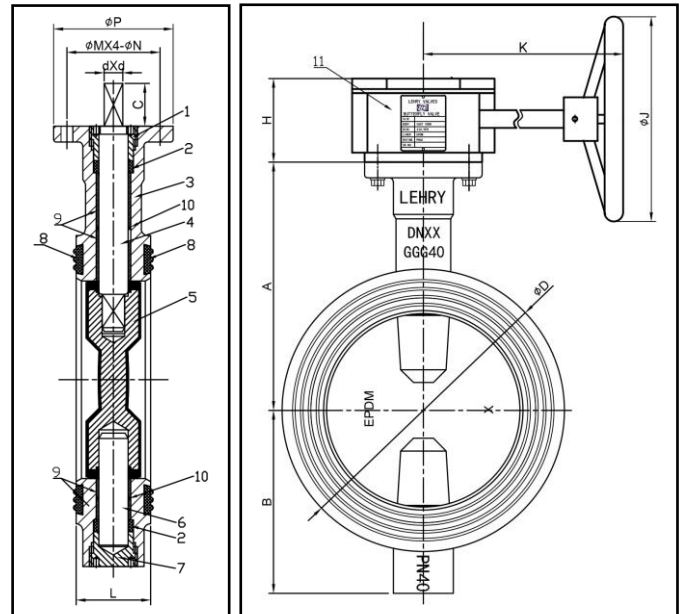
- ❖ General Circuit water industries
- ❖ Flow Shut Off or Regulating Function in sectors including water supply of Irrigation, HVAC.

Test Pressure

Body	: 60 Kg/Cmsq
Seat	: 40 Kg/Cmsq

Specification

SL. No	PARTS NAME	MATERIAL
1	Upper Shaft Sealing Nut	WCB
2	Shaft Seal	EPDM
3	Body	DI
4	Upper Shaft	SS410
5	Disc	Di + EPDM
6	Lower Shaft	SS410
7	Lower Shaft Sealing Nut	WCB
8	End Face Seal	EPDM
9	Stem Bushing	PTFE/C954
10	O-ring	EPDM
11	Gear Box Body	DI



(Dimensions)

(All Dimensions are in mm)

Size		A	B	C	D	H	K		J	P	M	N	d	L	N.M
INCHES	MM														
2	50	110	85	32	100	65	153	218	152	121	70	9	10	42	15-20
2 1/2	65	125	95	32	112	65	153	218	152	121	70	9	10	44.2	13-25
3	80	140	100	32	120	65	153	218	152	121	70	9	11	45.3	22-35
4	100	160	100	32	161	65	153	218	152	121	70	9	14	52	40-60
5	125	170	125	32	182	65	153	218	152	121	70	9	14	54.4	50-75
6	150	190	140	32	216	65	153	218	200	121	70	9	16	55.8	60-100
8	200	230	175	32	260	77	210	232	290	240	102	12	19	60.5	80-130
10	250	260	200	45	320	77	210	232	290	240	102	12	24	66.5	160-230
12	300	300	240	45	375	77	249		290	240	125	14	26	76.9	200-290

LEHRY INSTRUMENTATION & VALVES PVT. LTD

"Lehry Chambers" #78 (Old No.51) Sembudoss Street, PB No. 1506, Parys Chennai - 600 001.

Chennai, Bangalore, Hyderabad, Vishakapatnam, Kolkata, Mumbai, Noida.
: 044-25226995, 25225185, 25226187



Chennai, Jalandhar, Ahmedabad.
: www.lehryvalves.com