



LEHRY VALVES

Where flow and pressure meets quality

BUTTERFLY VALVE WITH EL-ACT. (CI)-PN16 WITH ISI

LEHRY MAKE Electrical Actuated Butterfly valves **with NSF** are most suitable for wide range of industrial applications. These Valves can be integrated with a consistent range of actuators to create complete flow control packages. Versatile ranges of resilient seated quarter turn butterfly valves are available in various configuration and materials to match critical applications. Higher end quality inspection ensures 100% compliances of safety measures, specified pressure rating and each valve assures tight shut-off.



Features of Butterfly Valve: -

- ❖ No pins between shaft and disk connection; this eliminates the possibility of electrolytic corrosion
- ❖ Self-lubricated plain bearings for both drive and non-drive end shaft ensures minimum bearing friction torque
- ❖ Extended stem design for insulated line.
- ❖ Excellent adaptability for actuator operation through standardized ISO 5211 flange mounting dimensions for actuator fitment.
- ❖ Design Standard: IS-13095, BS-5155 Insertion between flanges ANSI B16.1 CL-150, PN-16

APPLICATIONS

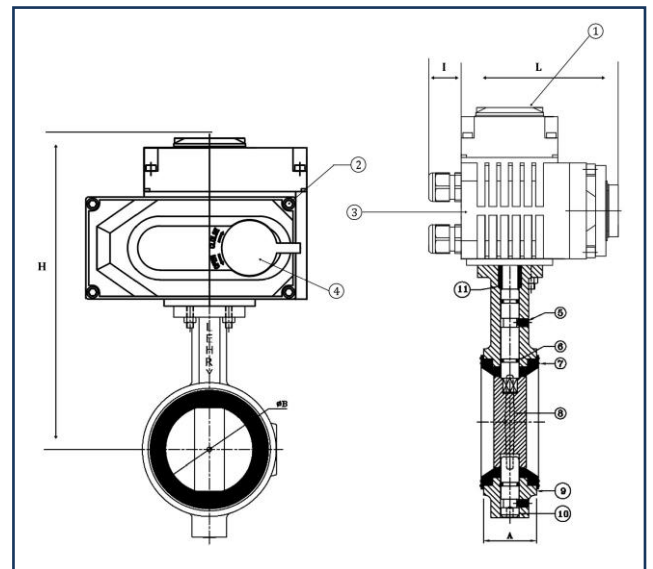
- ❖ General Circuit water industries
- ❖ Flow Shut Off or Regulating Function in sectors including water supply of Irrigation, HVAC, Plumbing, and Fire Fighting & Utility.

Test Pressure

- ❖ Body : 24 Kg/Cm²
- ❖ Seat : 16 Kg/Cm²

Butterfly Valve Specification : -

SL. No.	Description	Material
1	Position Indicator	Angular Pointer
2	Screw	SS
3	Cover	Alloy – Steel
4	Manual Override Key	M.S Allen Key
5	Grub Screw	M.S
6	O-Ring	NBR
7	Rubber Liner	EPDM / Nitrile / Neoprene
8	Disc	CI / CF8 / CF8M
9	Body	Cast Iron
10	Lower Spindle	13% Cr.
11	Bush	PTFE



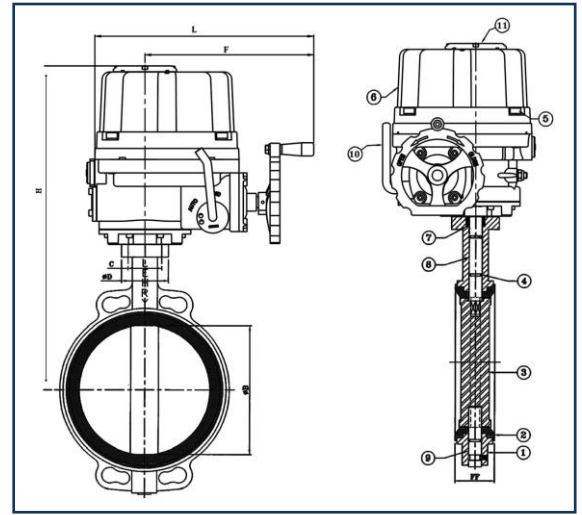
Dg:1.0

Dimensions For Dg:1.0

(All Dimensions are in mm)

Size		A	ØB	H	I	L	Act.Modl	Act-Torq(NM)
Inch	MM							
2"	50	43	51	262	36	121	EQ0050	50
2½"	65	46	65	281	36	121	EQ0050	50
3"	80	46	81	286	36	121	EQ0050	50
4"	100	52	103	311	36	121	EQ0080	80
5"	125	56	125	333	25	138	EQ0100A	100
6"	150	56	153	349	25	138	EQ0150A	150

SL. No.	Description	Material
1	Body	Cast Iron
2	Rubber Liner	EPDM
3	Disc	CI / CF8 / CF8M
4	O-Ring	NBR
5	Grub Screw	Stainless Steel
6	Enclosure	Aluminium Alloy. Weatherproof IP
7	Packing Bush	PTFE
8	Upper Spindle	AISI 410 13% Cr.
9	Lower Spindle	AISI 410 13% Cr.
10	Manual Gear	Aluminium Alloy. Weatherproof IP
11	Position Indicator	Continuos Position Indicator



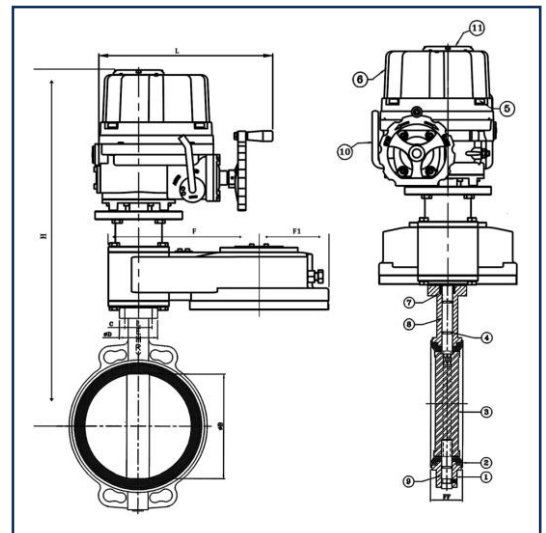
Dg:1.1

Dimensions For Dg:1.1

(All Dimensions are in mm)

Size		FF±2	ØB	ØD	C(PCD)	H	F	L	Act. Model
Inch	MM								
8"	200	60	201	90	70	527	276	358	EQ0300
10"	250	68	253	90	70	574	276	358	EQ0500
12"	300	78	300	90	70	594	276	358	EQ0500
14"	350	92	331.2	125	102	656	298	402	EQ0800

SL. No.	Description	Material
1	Body	Cast Iron
2	Rubber Liner	EPDM
3	Disc	CI / CF8 / CF8M
4	O-Ring	NBR
5	Grub Screw	Stainless Steel
6	Enclosure	Aluminium Alloy. Weatherproof IP
7	Packing Bush	PTFE
8	Upper Spindle	AISI 410 13% Cr.
9	Lower Spindle	AISI 410 13% Cr.
10	Manual Gear	Aluminium Alloy. Weatherproof IP
11	Position Indicator	Continuos Position Indicator



Dg:1.2

Dimensions For Dg:1.2

(All Dimensions are in mm)

Size		FF±2	ØB	ØD	C(PCD)	H	L	F	F1	Act. Model
Inch	MM									
16"	400	102	385.6	125	102	868	358	310	144	EQ1500
18"	450	114	419	150	125	873	358	310	144	EQ2000
20"	500	127	471.4	150	125	896	358	310	144	EQ3000
24"	600	154	574	150	125	1001	358	310	144	EQ3000

Actuator Description :-

For the Part turn Valves & damper automation with quick operating time combined with wide power supply options, feedback provisions and accessories like local control, integral starter – Eq series designed to withstand harsh environmental conditions and still deliver the performance – consistently

Actuator Specification :-

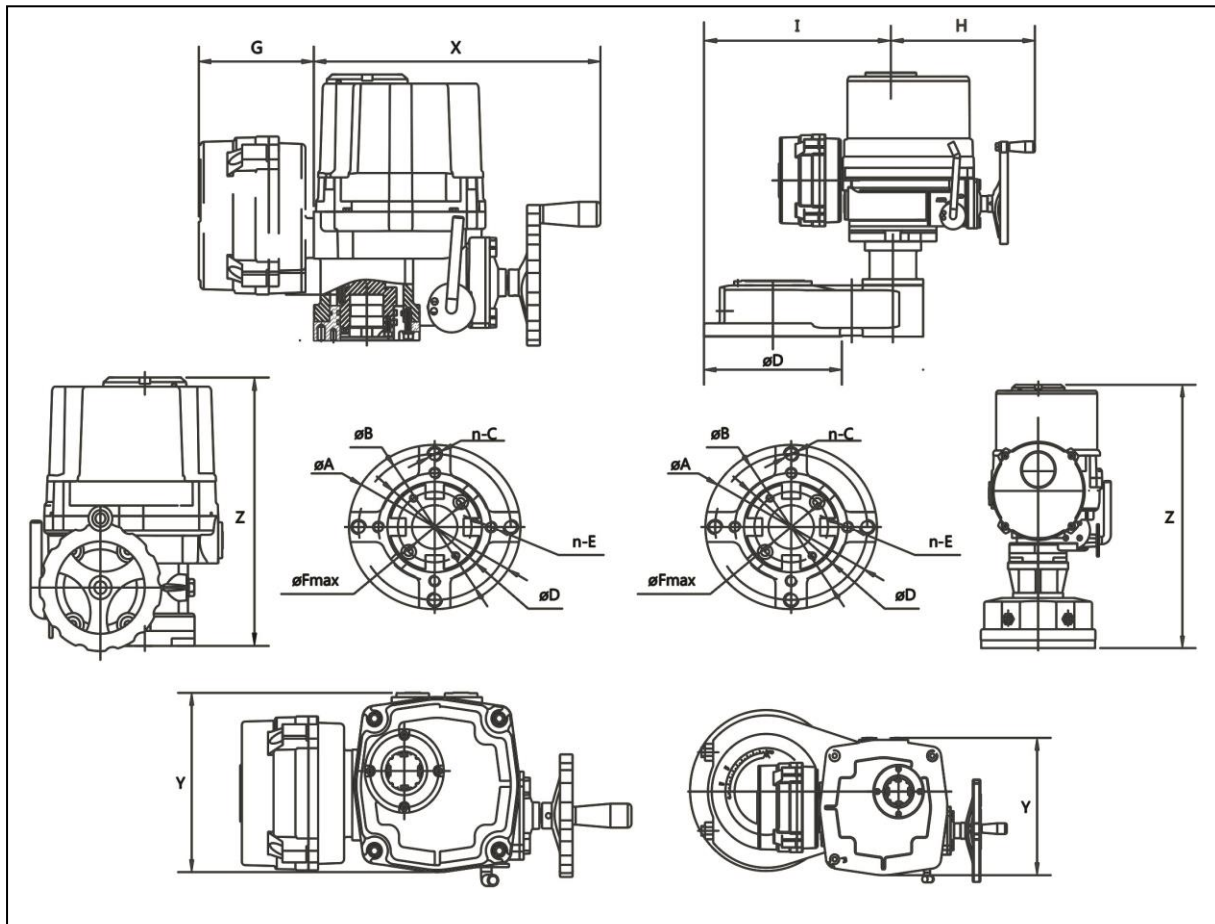
- ❖ Enclosure : Aluminium alloy, Weather proof IP67, NEMA 4 (Optional EExd IIC T5)
- ❖ Power supply : 24V AC/DC & 1 Ph 110/220 V AC and 3 Ph 415 V AC 50/ 60 Hz
- ❖ Control power supply : 24V AC/DC & 1 Ph 110/220 V AC 50/ 60 Hz
- ❖ Motor : Squirrel cage induction motor
- ❖ Duty cycle : S2 (15 to 30 min) ON/OFF, S4 (300 to 1200 starts/hr)

- ❖ Limit switch : 1 x SPDT (220V AC, 10 A) for each Open/ Close
- ❖ Auxiliary limit switch : 1 x SPDT (220V AC, 10 A) for each Open/ Close
- ❖ Torque Switch : 1 x SPDT (220V AC, 10 A) for each Open/ Close
- ❖ Travel : $90^{\circ} \pm 10^{\circ}$ (Optional $0^{\circ} \sim 270^{\circ}$)
- ❖ Position Indicator : Continuous position Indicator
- ❖ Manual Override : Auto declutching handwheel mechanism
- ❖ Self-locking : Self-locking by worm and worm gear
- ❖ Mechanical stopper : 2 x external adjustable stopper
- ❖ Space heater : 7-10W(110V/220VAC)
- ❖ Cable entry : 2 x PF $\frac{3}{4}$ "
- ❖ Ambient humidity : $-20^{\circ}\text{C} \sim +70^{\circ}\text{C}$
- ❖ Lubrication : EP type moly grease
- ❖ Ambient humidity : Max 90% RH
- ❖ Anti-Vibration : X Y Z 10g, 0.2~34Hz, 30 Minutes
- ❖ External Coating : Dry Powder, Epoxy Polyester, anti-corrosion



Dimensions

Model	X	Y	Z	A	B	n-C	D	n-E	Fmax	G	H	I
EQ 0100	260	163	234	ø90	ø70	4xM8	-	-	ø20	140	-	-
EQ 0150	351	227	270	ø125	ø102	4xM10	ø70	4xM8	ø22	140	-	-
EQ 0200	351	227	270	ø125	ø102	4xM10	ø70	4xM8	ø22	140	-	-
EQ 0300	367	240	290	ø150	ø125	4xM12	ø102	4xM10	ø35	140	-	-
EQ 0500	367	240	290	ø150	ø125	4xM12	ø102	4xM10	ø35	140	-	-
EQ 0600	367	240	290	ø150	ø125	4xM12	ø102	4xM10	ø35	140	-	-
EQ 0800	410	276	335	ø180	ø140	4xM16	ø125	4xM12	ø45	140	-	-
EQ 1200	410	276	335	ø180	ø140	4xM16	ø125	4xM12	ø45	140	-	-
EQ 1500	410	276	539	ø285	ø165	4xM16	ø140	4xM20	ø45	140	290	391
EQ 2000	410	276	539	ø285	ø165	4xM16	ø140	4xM20	ø45	140	290	391
EQ 3000	410	276	539	ø285	ø165	4xM16	ø140	4xM20	ø45	140	290	391
EQ 4000	410	276	539	ø285	ø165	4xM16	ø140	4xM20	ø45	140	290	391
EQ 5000	410	276	539	ø285	ø165	4xM16	ø140	4xM20	ø45	140	290	391



Optional - Accessories



- Analog Position Feedback 4-20mA (2 Wire)
- Zero Adjustment
 - Span Adjustment

Positioner



- Continuous position control for modulating duty application
- Input Signal : 4-20mA (Optional : 0-10V DC / 0-5V DC)
 - Output Signal : 4-20mA 2 Wire

Integral Strater / Local Control



- Reversing contractors with in built power supply
Rotarty switch for Local / Stop / Remote selection and Open / Close operation

DATA TO BE SUPPLIED WHILE ENQUIRY

- ❖ Size
- ❖ Actuation
- ❖ Nature of Fluid
- ❖ Flow Temperature
- ❖ Connection
- ❖ Working Condition
- ❖ Flow Pressure

LEHRY INSTRUMENTATION & VALVES PVT. LTD

"Lehry Chambers" #78 (Old No.51) Sembudoss Street,
PB No. 1506, Parrys Chennai - 600 001.

📍: Chennai, Bangalore, Hyderabad, Vishakapatnam, Kolkata, Mumbai, Noida.
☎: 044-25226995, 25225185, 25226187

✉: info@lehry.com



📍: Chennai, Jalandhar, Ahmedabad.
🌐: www.lehryvalves.com