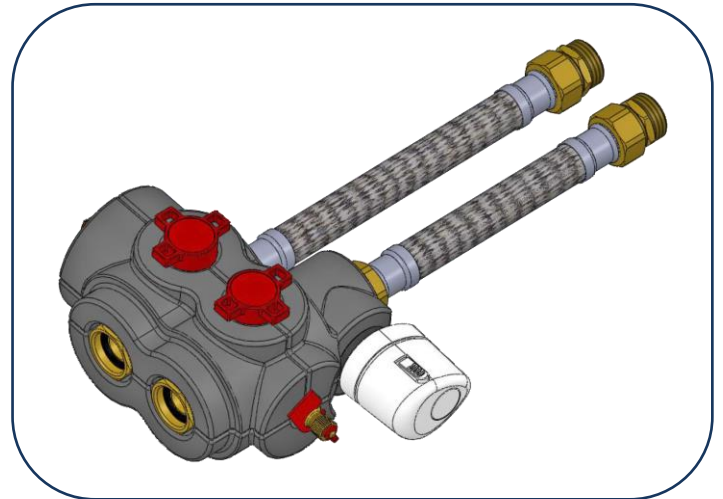


FCU VALVE PACKAGE

LEHRY FAN COIL UNIT Valve Packages is used for the isolation, flushing, draining and bleeding of the supply and return pipe installed in the flow direction in front of the fitting or the succeeding sections of the system. The connection fitting can be converted to bypass operation. The ball positions and thus the flow directions are displayed by the shape of the handle. For use in central heating and cooling systems (like fan convectors (fan coil units), chilled ceiling modules, induction air systems, cooling and heating zones) with closed circuits, for operation with non-aggressive fluids (e.g. water or suitable water and glycol mixtures according to VDI 2035).



FEATURES : -

- ❖ Available in 20mm
- ❖ Integral union joints for easy alignment and tightening
- ❖ Extended T-handle isolation valves,
- ❖ Full bore isolating valve for supply, return and bypass
- ❖ Strainer is integrated with drain cock for easy maintainence
- ❖ Flexible hoses of length 280mm suitable for the site conditions, provided as a standard accessory
- ❖ Special thermal insulation boxes provided as a standard accessory
- ❖ Test plugs provided to check the flow rate and temperature
- ❖ 230V on/off actuator with valve

Design

- ❖ Compact Solutions with easy operation

Function:

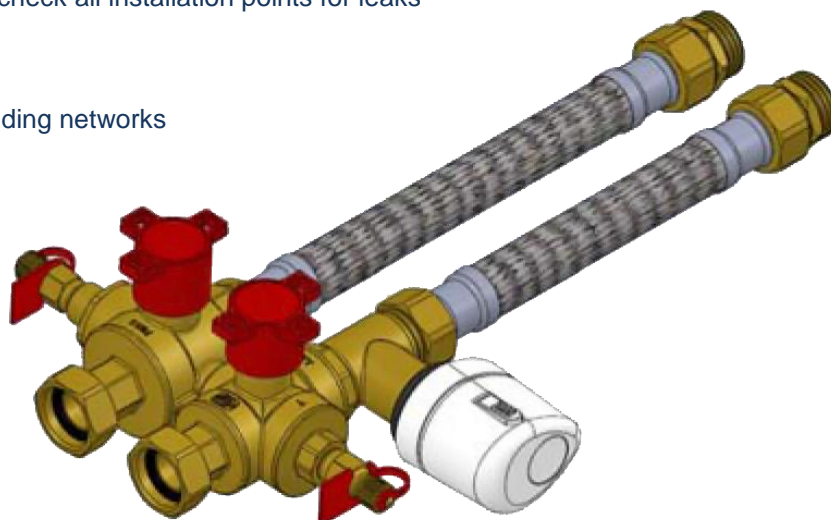
LEHRY FAN COIL UNIT is used for the connection of fan convectors (fan coil units), chilled ceiling modules, induction air systems, cooling and heating zones etc. to the pipework of central heating and cooling systems with closed circuit. The direction of flow is optional. The connection fitting can be installed in any position (horizontal, oblique or vertical, in ascending and descending sections).

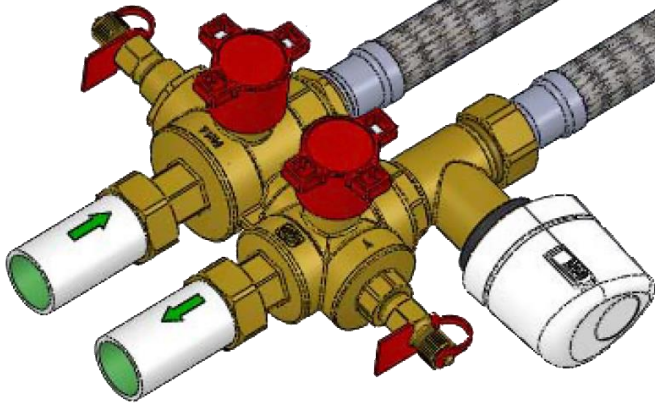
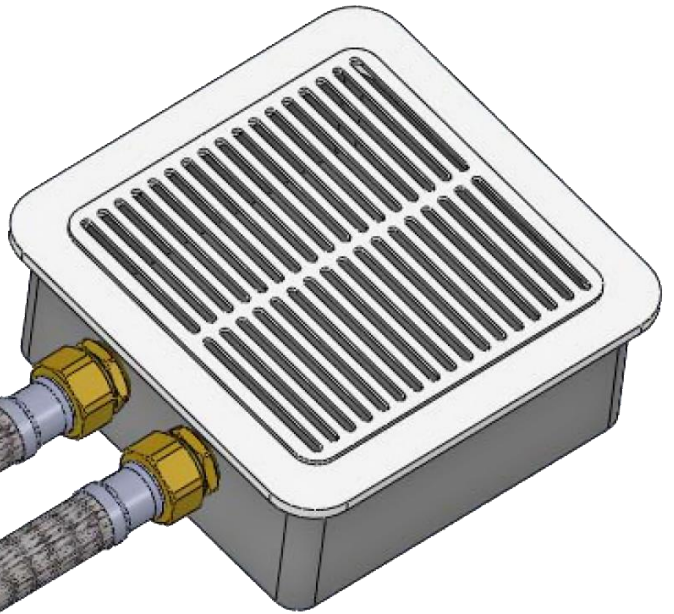
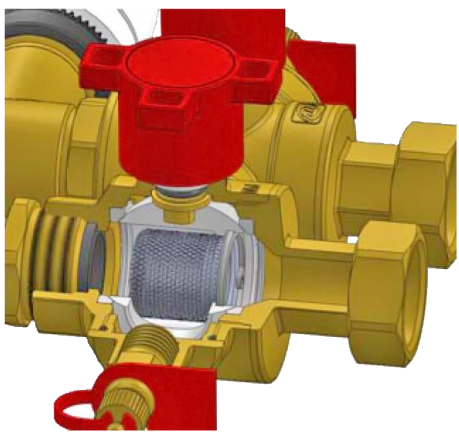
Installation

- ❖ The Direction of flow is optional
- ❖ The connection fitting can be installed in any position
- ❖ Do not use any lubricant or oil when installing the fitting as these may destroy the seals
- ❖ If necessary, all dirt particles and lubricant or oil residues must be removed from the pipework by flushing the latter
- ❖ Any tension which could be transferred through the pipework must be avoided
- ❖ When choosing the operating fluid, the latest technical development has to be considered (e.g. VDI 2035)
- ❖ After installation, check all installation points for leaks
- ❖

Operation

- ❖ Hi-Flexibility in adding networks





TECHNICAL DATA

Pressure / Temperature Ratings

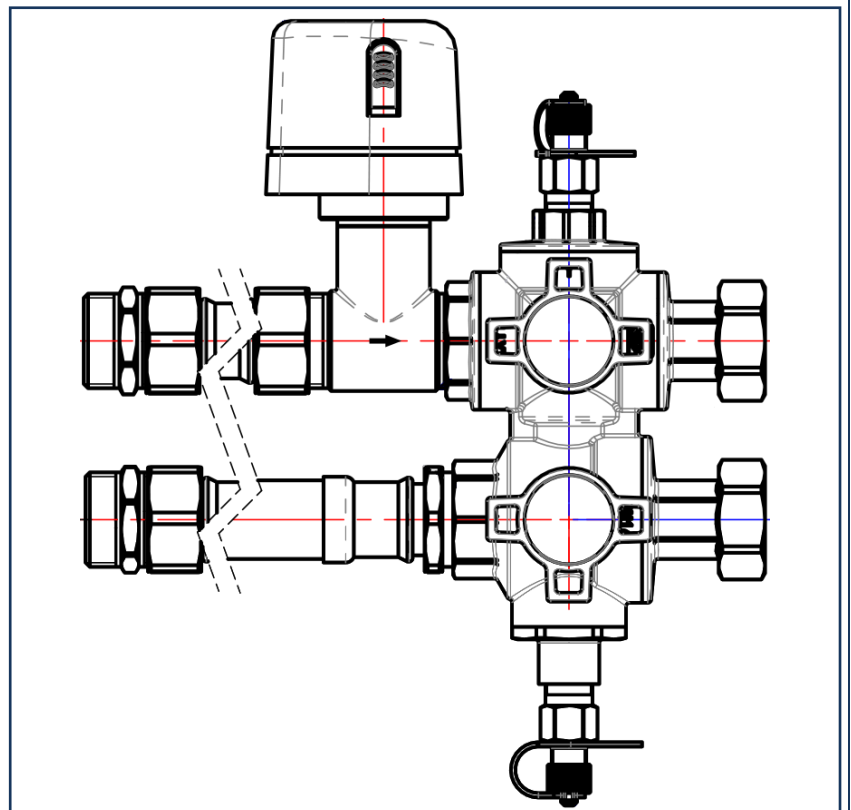
Pressure (Bar)	Temperature (DegC)
16	-10 to 120

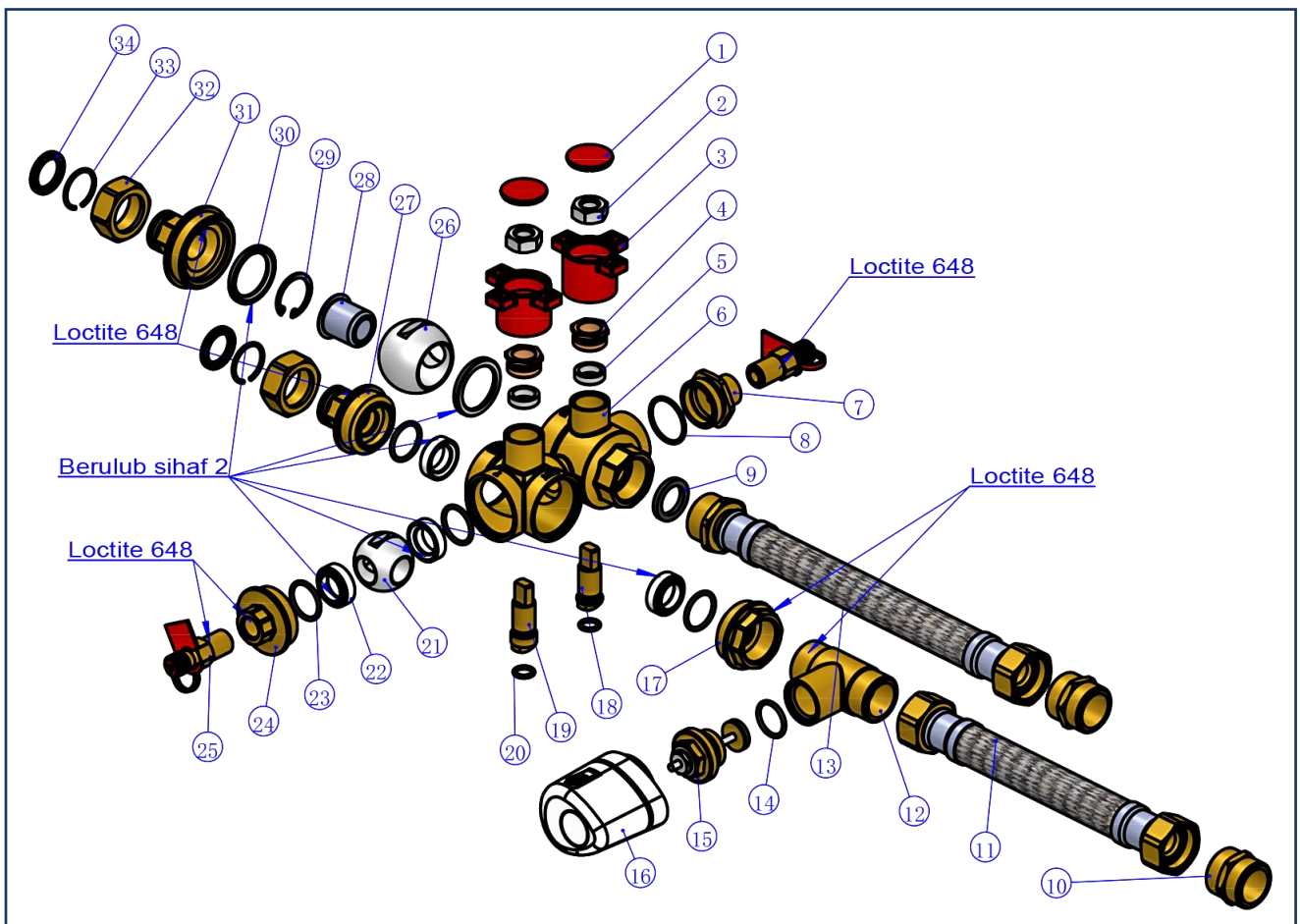
End Connection

Size	Connection Type
20mm	F20

Control Actuator

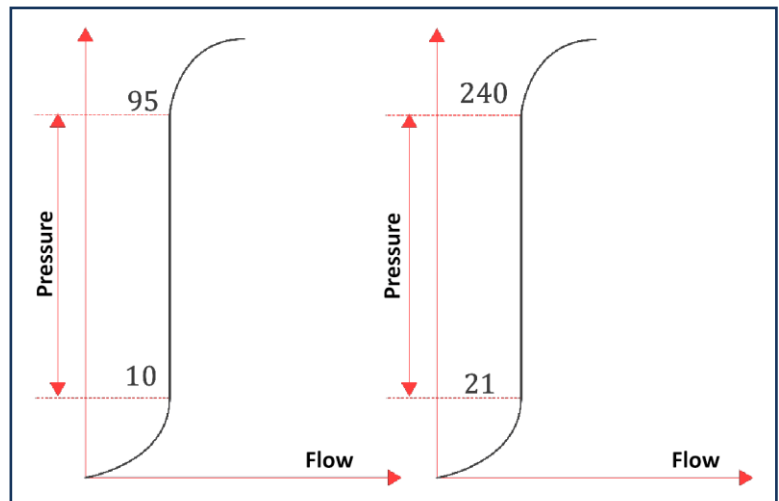
Type	Voltage
On/Off	230V





MATERIAL OF CONSTRUCTION

SL.N	PART NAME	MATERIAL
1	Cap	ABS
2	Locknut	Q235
3	Lever	Aluminium Alloy
4	Packing Nut	Brass
5	Packing	PTFE (M-111)
6	Body	CW617N
7	Cap	CW617N
8	O-Ring	EPDM
9	Rubber Gasket	EPDM
10	Connector	CW617N
11	Prepare the tube	Component
12	Body	CW617N
13	Prepare the tube	Component
14	O-Ring	EPDM
15	The Valve Core	Component
16	Actuator	Component
17	Bonnet	CW617N
18	Stem	CW617N
19	Stem	CW617N
20	O-Ring	EPDM
21	Ball	Brass
22	Seat	PTFE (M-111)
23	O-Ring	EPDM
24	Bonnet	CW617N
25	Plug	Component
26	Ball	Brass
27	Bonnet	CW617N
28	Screen	AISI304
29	Circlip	AISI304
30	Seat	PTFE(M-111)
31	Bonnet	CW617N
32	Connection Cap	CW617N
33	Circlip	AISI304
34	Rubber Gasket	EPDM



FLEXIBLE HOSES

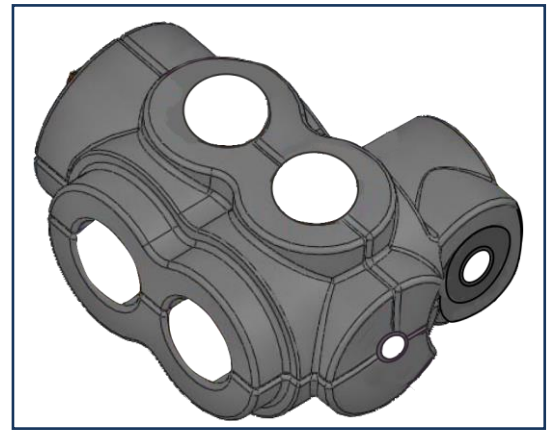


Size	Length (MM)
20MM	280

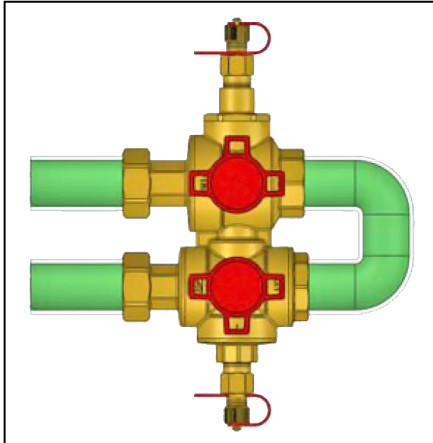
THERMAL INSULATION

BENEFITS :-

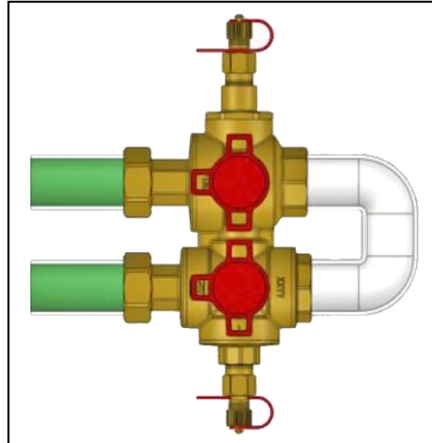
- ❖ Manufactured Specifically for the FCU Valves Package



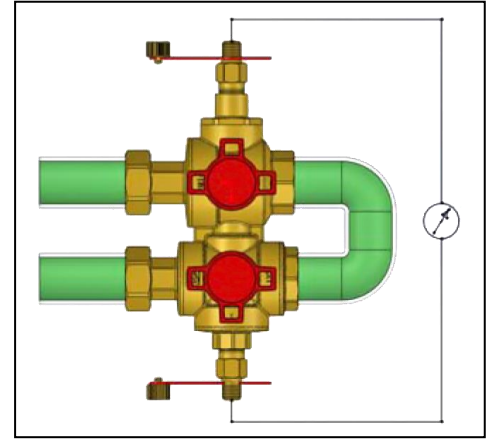
Functions Of FAN COIL UNIT / INSTALLATION EXAMPLE :



Normal Service Condition



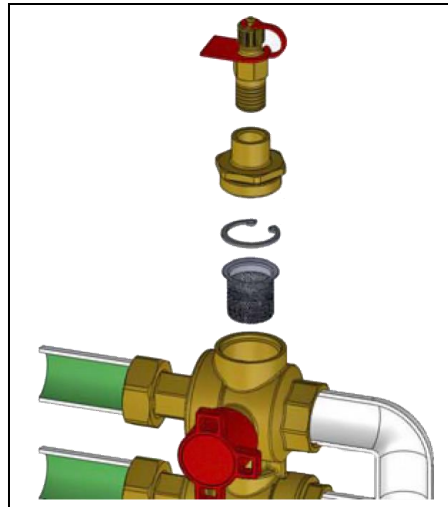
Maintenance state



Differential Pressure Detection



Clean/Replace filter



Reassembly filter circlip and bonnet

Design Features :

Lehry FCU Valve Package Control (**Honeywell**) Honeywell, (*Danfoss*) Danfos, (**WATTS**) Watts and (**Oventrop**) Oventrop On/Off Pressure Independent Balancing Control Valve . Without Thermal insulation please check with your sales representative regarding the various options.

Lehry Instrumentation & Valves Pvt. Ltd.,

"Lehry Chambers" #78 (Old No: 51) Sembudoss Street,
P.B No.1506, Parrys, Chennai - 600 001.
Phone : 044 25226995/25225185/25226187/42163823/
42625620/42625621. Fax : 044 25231715
Email : info@lehry.com / Website : www.lehryvalves.com
Branches : Chennai, Bangalore, Hyderabad, Mumbai, Noida, Pune