



LEHRY VALVES

Where flow and pressure meets quality

FM APPROVED - BUTTERFLY VALVE WITH TAMPER SWITCH WAFER TYPE

LEHRY FM Approved Wafer Type Butterfly Valves are made to the highest quality standards in the industrial applications. These Valves can be integrated with a consistent range to create complete flow control packages. Versatile ranges of resilient seated quarter turn butterfly valves are available in various configurations and materials to match critical applications. Higher end quality inspection ensures 100% compliance of safety measures, specified pressure rating and each valve assures tight shut-off.

Features:

- ❖ No pins between shaft and disk connection; this eliminates the possibility of electrolytic corrosion
- ❖ Self lubricated plain bearings for both drive and non-drive end shaft ensures minimum bearing friction torque
- ❖ Extended stem design for insulated line.
- ❖ Excellent adaptability for actuator operation through standardized ISO 5211 flange mounting dimensions for actuator fitment.

Applications:

- ❖ General Circuit water industries
- ❖ Flow Shut Off or Regulating Function in sectors including water supply of Fire Fightings

Technical Specification

- ❖ Max. Working Pressure: PN 20 Bar (Max. Test Pressure : PN 30 Bar)
- ❖ Max. Working Temp. : 250°F (120°C)
- ❖ Application : Indoor and Outdoor Use
- ❖ Double – Seal Disc : Resilient EPDM Coated
- ❖ Factory Installed Supervisory Tamper Switch Assembly

Valve Specifications:

SL No	Parts	Material
1	Upper Shaft Sealing Nut	WCB
2	Shaft Seal	EPDM
3	Body	DI (ASTM A536)
4	Upper Shaft	SS416
5	Disc	DI+EPDM
6	Lower Shaft	SS416
7	Lower Shaft Sealing Nut	WCB
8	Stem Bushing	PTFE
9	O-Ring	EPDM
10	Gear Box	DI

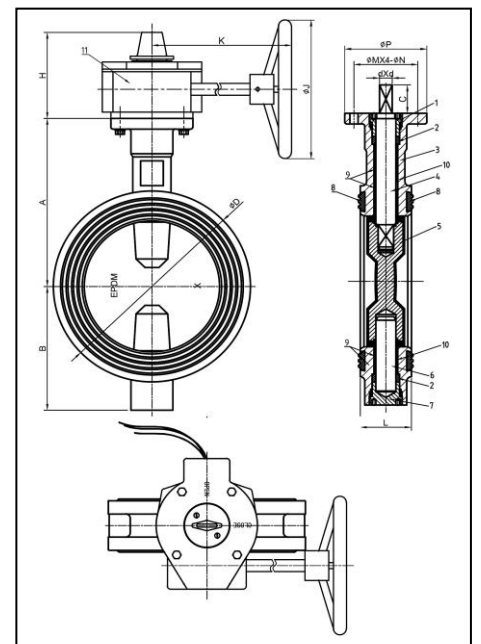
Carried Standard:

Design Standard	API609
Face to Face Standard	ASME B16.10
Top Flange Standard	ISO 5211
Test Standard	API 598

Dimensions

(All Dimensions are in mm)

Size		A	B	C	D	H	K	J	P	M	N	D	L	
Inch	MM													
2	50	110	85	32	100	111	153	218	152	90	70	9	10	42
2 ½	65	125	95	32	112	111	153	218	152	90	70	9	10	44.2
3	80	140	100	32	120	111	153	218	152	90	70	9	11	45.3
4	100	160	100	32	161	111	153	218	152	90	70	9	14	52
5	125	170	125	32	182	111	153	218	152	90	70	9	14	54.4
6	150	190	140	32	216	111	153	218	200	90	70	9	16	55.8
8	200	230	175	32	260	126	210	232	300	125	102	12	19	60.5
10	250	260	200	45	320	126	210	232	300	125	102	12	24	66.5
12	300	300	240	45	375	161	249	350	150	125	14	26	76.9	



LEHRY INSTRUMENTATION & VALVES PVT. LTD

"Lehry Chambers" #78 (Old No.51) Sembudoss Street,
PB No. 1506, Parys Chennai - 600 001.

☎ : Chennai, Bangalore, Hyderabad, Vishakapatnam, Kolkata, Mumbai, Noida.
☎ : 044-25226995, 25225185, 25226187

✉ : info@lehry.com



☎ : Chennai, Jalandhar, Ahmedabad.
🌐 : www.lehryvalves.com