

## BALL TYPE FOOT VALVES S/E

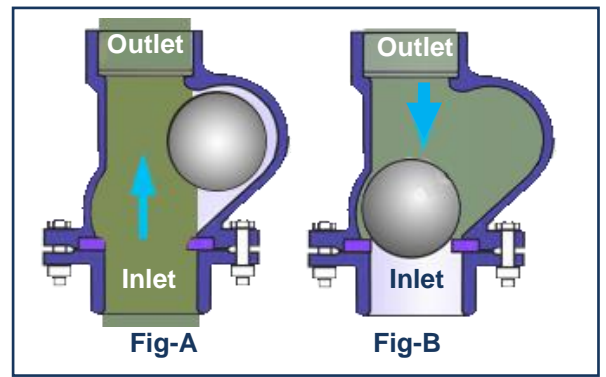
### PRINCIPLE OF OPERATION :-

The reinforced rubber ball is the heart of this valve. This ball in the designed path of the valve moves freely and promptly reacts to the ON & OFF of the pump. The ball moves to open position when the pump starts & allows free flow of liquid without any interference. (Fig- A) As the pump stops, the ball seats firmly against the metal seat due to its own weight & back pressure of the liquid (Fig-B) This results in DROPLESS sealing



### SILENT FEATURES :-

- ❖ This valve is offered in one side threaded and other side strainer design.
- ❖ New generation valve with unique and non-conventional design.
- ❖ Suitable for a very wide range of applications like slurry, sewage, paper, chemical, water supply, agriculture, muddy water, slurry, paper stock, viscous liquid and clear water.
- ❖ Robust and very simple mechanism.
- ❖ A floating reinforced rubber coated ball is used instead of hinge-pin-disc.
- ❖ Highly sensible to arrest flow with perfect sealing.
- ❖ Very low head loss
- ❖ Non clogging and self cleaning mechanism
- ❖ Maintenance free
- ❖ Power saving
- ❖ Large solid handling capacity
- ❖ Installation can be vertically or horizontally
- ❖ Operates silently upto 80°C
- ❖ This valve has a quality for withstanding consistent performance and longer life.



### PRESSURE RATING :

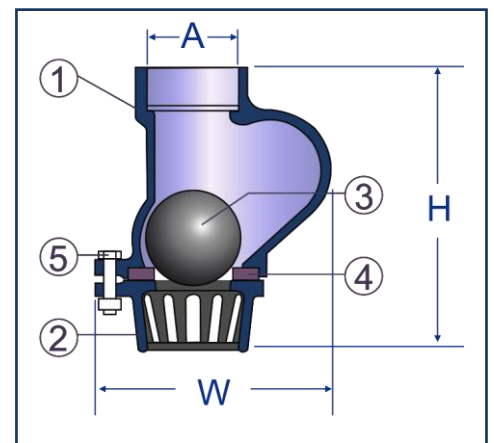
- ❖ Sizes : 25 – 100mm, Working Pressure 6Kg/Cmsq
- ❖ Sizes : 100, 125 & 150mm available in flanged top & bottom

### MATERIAL OF CONSTRUCTION :-

Part	Description	Standard
1	Body	Cast Iron
2	Strainer	Cast Iron
3	Ball	Nitrile Rubber
4	Seal Ring	Nitrile Rubber
5	Fasteners	Carbon Steel
6	Adaptor	Cast Iron

### Dimensions(All Dimensions are in mm)

	A	25	40	50	65	80	100
H	100	135	165	200	244	284	
W	90	125	148	190	232	275	



## Lehry Instrumentation & Valves Pvt. Ltd.,

"Lehry Chambers" #78 (Old No: 51)Sembudoss Street,  
P.B No.1506, Parrys, Chennai - 600 001.  
Phone : 044 25226995/25225185/25226187/42163823/  
42625620/42625621. Fax : 044 25231715  
Email : info@lehry.com / Website : www.lehryvalves.com  
Branches : Chennai, Bangalore, Hyderabad, Mumbai, Noida, Pune