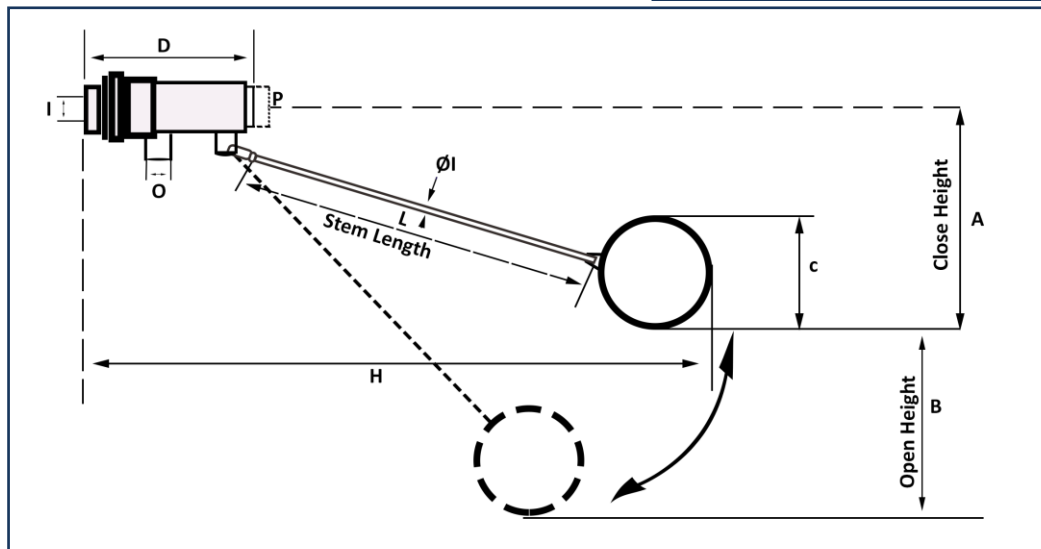


FLOAT VALVE

LEHRY MAKE Brass / Stainless Steel Float Valve Moh Full Bore Pattern With Brass / SS Rod With Ball., Suitable for Domestic Waters.

Technical Details : -

SL.N	DESCRIPTION	MATERIAL
1	Body	Brass / CF8
2	Piston	Brass / CF8
3	Piston Ring	Brass / CF8
4	Lever	Brass / CF8
5	Check Nut	Brass / CF8
6	Cotter	Brass / CF8
7	Seat Washer	Synthetic Rubber / Teflon
8	Thread Washer	Rubber
9	Ball	PVC / Copper / CF8



Dimensions

(All Dimensions are in MM)

SIZE	D	I	O	P	Øl	L	C	H	A	B
15 MM	90	14	14	19	8	250	125	460	180	285
20 MM	103	17	20	26	8	275	160	533	180	280
25 MM	120	20	24	30	10	300	175	590	230	415
32 MM	140	26	32	42	11	300	200	635	385	500
40 MM	172	32	38	45	12	300	200	667	395	550
50 MM	196	38	48	51	12	325	250	766	400	550
65 MM	200	48	52	62	14	350	250	795	410	580
80 MM	200	51	52	62	14	375	300	870	450	600

Lehry Instrumentation & Valves Pvt. Ltd.,

"Lehry Chambers" #78 (Old No: 51) Sembudoss Street,
P.B No.1506, Parrys, Chennai - 600 001.

Phone : 044 25226995/25225185/25226187/42163823/
42625620/42625621. Fax : 044 25231715

Email : info@lehry.com / Website : www.lehryvalves.com

Branches : Chennai, Bangalore, Hyderabad, Mumbai, Noida, Pune