

DUAL PLATE CHECK VALVE-(N.R.V)

DESCRIPTION: -

Dual Plate Check valve is a purpose non return valve that is much stronger, lighter in weight and smaller in size as compared to conventional swing check valve or lift check valve. This design has distinct advantages over conventional swing check valve.

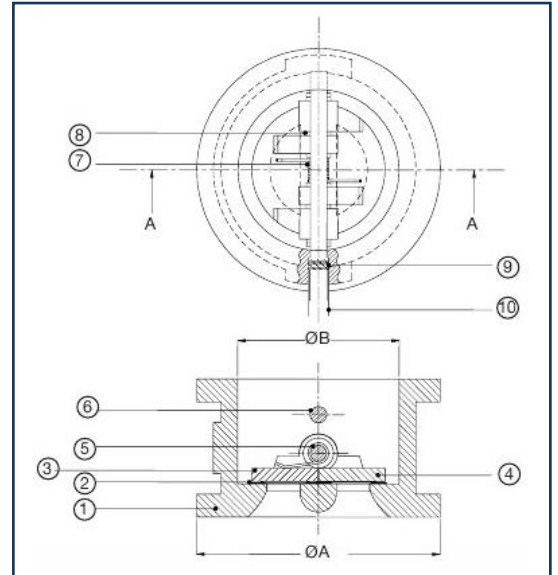
MATERIALS

| S.No. | Name of Parts | Material |
|-------|---------------|-------------------------|
| 1 | Body | C.I. / CF8 / CF8M / WCB |
| 2 | Linner | Nitrile/EPDM |
| 3 | Plate LH | D.I. / CF8 / CF8M |
| 4 | Plate RH | D.I. / CF8 / CF8M |
| 5 | Hinge Pin | AISI 304/ AISI 316 |
| 6 | Stopper Pin | AISI 304/ AISI 316 |
| 7 | Spring | SS 304 |
| 8 | Ring | SS 304 |
| 9 | Seal | Nitrile/EPDM |
| 10 | Plug | Mild Steel |



DIMENSIONS IN MM

| DN Size | OUTER DIA | FACE TO FACE | INNER DIA |
|---------|------------|--------------|------------|
| 50 | 95 | 54 | 60 |
| 65 | 110 | 54 | 73 |
| 80 | 130 | 57 | 89 |
| 100 | 160 | 64 | 114 |
| 125 | 188 | 70 | 141 |
| 150 | 212 | 76 | 168 |
| 200 | 280 | 95 | 219 |
| 250 | 340 | 108 | 273 |
| 300 | 410 | 143 | 324 |
| 400 | On Request | On Request | On Request |
| 500 | On Request | On Request | On Request |
| 600 | On Request | On Request | On Request |



HYDROSTATIC TEST PRESSURE

| Availability | Size Range | Temperature Rating | Hydrostatic Test Pressure | |
|-----------------|--------------|--------------------|---------------------------|------------------------|
| | | | Body | Seat |
| Standard Supply | 50 to 600 mm | -10°C to 90°C | 15 Kg./cm ² | 10 Kg./cm ² |
| | 50 to 300 mm | -10°C to 90°C | 24 Kg./cm ² | 16 Kg./cm ² |

Lehry Instrumentation & Valves Pvt. Ltd.,

"Lehry Chambers" #78 (Old No: 51) Sembudoss Street,
P.B No.1506, Parrys, Chennai - 600 001.
Phone : 044 25226995/25225185/25226187/42163823/
42625620/42625621. Fax : 044 25231715
Email : info@lehry.com / Website : www.lehryvalves.com
Branches : Chennai, Bangalore, Hyderabad, Mumbai, Noida, Pune