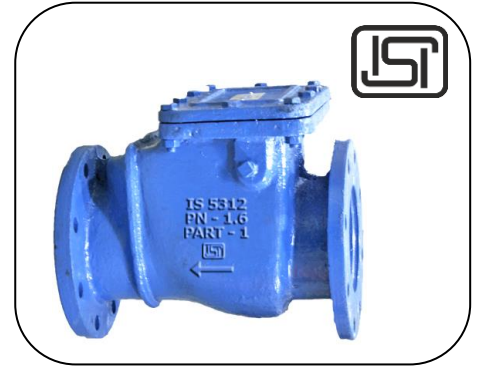


REFLUX VALVE WITH ISI MARK

LEHRY Ductile Iron Swing check type Reflux Valves are strictly manufactured as per 15:5312 Part-I with ISI Marked. These Valves are generally used to maintain flow of water in only one direction and stop the return flow of water. They are self-operative by pressure only. They are very useful to reduce water hammer effect.

We can also provide external bypass arrangement with these valves where designs are tested as per IS: 5312 as follows

- ❖ Swing Check type design
- ❖ Rigid and sturdy design with minimum head loss
- ❖ Long Service Life with minimum head loss
- ❖ Suitable for clear water Upto 3000ppm & Temp. 85 °C for rubber and bronze seat and Upto 100 °C for (S.S. Seating).

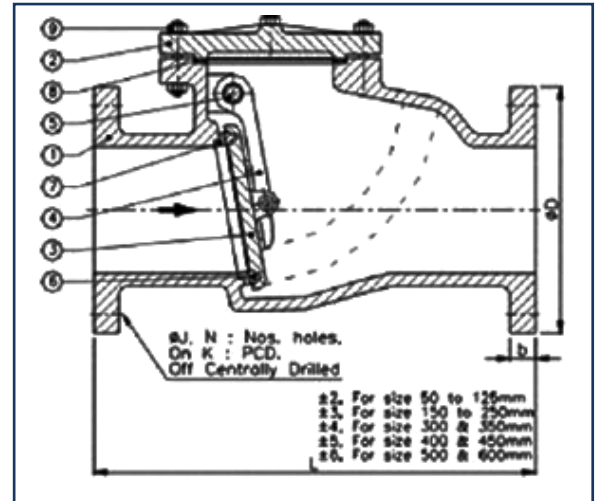


Technical Data

Manufacturing Std : IS 5312(Part-I)
 End Connection : Flanged to ANSI B16.5 Class 150
 Inspection and Testing Std : IS 5312 (Part-I)

Valve Specifications:

P.No.	Qty	Nomenclature	Material
1	1	Body	D.I. ASTM A536 - 84(2014)
2	1	Cover	D.I. ASTM A536 - 84(2014)
3	1	Door	D.I. ASTM A536 - 84(2014)
4	1	Hinge	AISI 410
5	1	Hinge Pin	AISI 410
6	2	Door Face	G.M
7	1	Body Seat	G.M
8	1	Gasket	CAF
9	Req	Cover Bolt & Nuts	Carbon Steel



Dimensions (All Dimensions are in mm)

SIZE MM	L Face to Face (FF)	ØD	B	ØJ	N	K PCD
50	200	165	16	19	4	125
65	240	185	16	19	4	145
80	260	200	21	19	4	160
100	300	220	22	19	8	180
125	350	250	22.5	19	8	210
150	400	285	23	23	8	240
200	500	340	24.5	23	8	295
250	600	395	26	23	12	350
300	700	445	27.5	23	12	400
350	800	505	29	23	16	460
400	900	565	30	28	16	515
450	1000	615	31.5	28	20	565
500	1100	670	33	28	20	620
600	1300	780	36	31	20	725

Accessories

- ❖ By Pass Arrangement
- ❖ Dashpot Arrangement (350mm and above)
- ❖ Drain Plug
- ❖ Strainer

Hydrostatic Test. Pressure		
PN Rating	Body	Seat
16 Bar	24 bar	16 Bar

LEHRY INSTRUMENTATION & VALVES PVT. LTD

"Lehry Chambers" #78 (Old No.51) Sembudoss Street,
 PB No. 1506, Parrys Chennai - 600 001.

Chennai, Bangalore, Hyderabad, Vishakapatnam, Kolkata, Mumbai, Noida.
 : 044-25226995, 25225185, 25226187

✉ : info@lehry.com



Chennai, Jalandhar, Ahmedabad.
 : www.lehryvalves.com