

SILENT FEATURE SAFETY VALVE

LEHRY MAKE Offers Advance Combination Angle type Silent Safety Valve for Third Generation Process Industries.

Media : Air, Water, Oil, Gas, Chemicals and Steam Etc...

Selection of Safety Valve

Selection of Safety Valve is calculated with the reference to the fluid and states, weight, viscosity and specific gravity. The appropriate valve size and style may then be selected having a nominal effective area equal to or greater than the calculated required effective area.

Instruction Before Installation

- ❖ Flush the pipe line carefully when valve is mounted to remove all possible impurities. Before flushing keep the valve fully open.
- ❖ Make sure the direction is correct,
- ❖ Valve should be used in accordance with the pressure / temperature range.
- ❖ Vertical and horizontal installation is acceptable Make sure there is enough space for maintenance of the valve.
- ❖ Never modify or alter valves unless the manufacturer has been consulted, due to the variety of duties on which this product can be employed. It is the end user responsibility to ensure the compatibility of the media with the materials of construction of the product for each specific application.

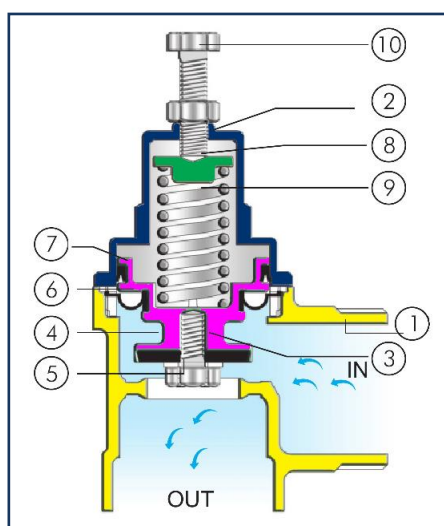
Adjusting the Setting Pressure

- ❖ Turning anti-clockwise the adjusting stem to the pressure.
- ❖ Adjusting the pressure to required setting pressure turning stem clockwise.
- ❖ Setting pressure gets higher by turning the adjusting stem clockwise.
- ❖ The pressure gauge indicates the outlet pressure.
- ❖ Check if the pressure is correct by opening & Closing outlet valve for several times.
- ❖ Open the outlet shut-off valve and tighten the nut to fixing adjusting stem.

Size Range: Screwed ½" to 4" / Flanged 1" to 4"

Technical Specifications :

1	Body	CF8 / CF8M
2	Spring Cover	CF8
3	Plug	CF8 / CF8M
4	Sealing	Spacer- NBR
5	Plug Bolt	CF8 / CF8M
6	Diaphragm	NBR - Viton
7	V-Seal	NBR-Viton
8	Washer	Brass / CF8
9	Spring	Spring Steel
10	Adjusting Stem	S.S. 304



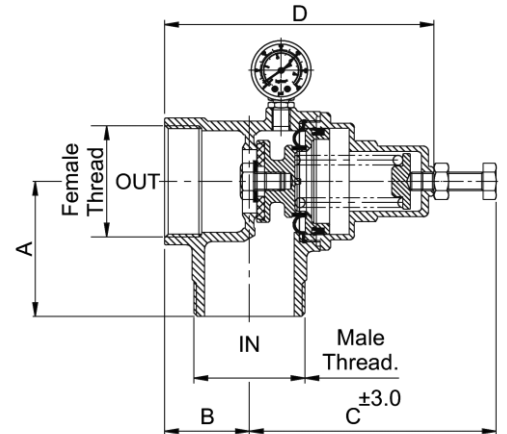
Pressure Temperature :

Temperature Range	80 °C (for water)
Temperature Range	180 °C (for steam)
Maximum Working Press	21 Kg/Cm ² inlet
Pressure adjusting range	0.5 - 10 Kg/Cm ² 10 - 20 Kg/Cm ²

Dimensions : (Screwed)

(All dimensions are in mm)

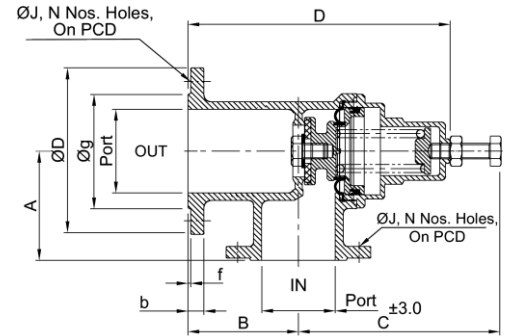
Valve Model	Size		A	B	C	D	Weight (Approx)
	MM	Inch					
PLS - 15	15	½"	48.8	22.1	118	100	0.750
PLS - 20	20	¾"	51.6	28	118	105	0.732
PLS - 25	25	1"	54.8	30	118	109	0.903
PLS - 32	32	1.¼"	63.4	36	117	115	1.084
PLS - 40	40	1½"	68.7	40	146	141	1.683
PLS - 50	50	2"	73.6	45.1	146	148	1.857
PLS - 65	65	2½"	107.4	54.6	180	227	5.800
PLS - 80	80	3"	108.6	66.2	180	239	6.500
PLS - 100	100	4"	137	79.5	225.5	300	10.00



Dimensions : (Flanged)

(All dimensions are in mm)

Valve Model	PLF-25	PLF-40	PLF-50	PLF-65	PLF-80	PLF-100
Size	1"(25)	1.½"(40)	2"(50)	2.½"(65)	3"(80)	4"(100)
A	72.9	90.5	104.5	115.7	127.2	147.2
B	71	93	104.5	116	127.2	147.2
C	116.6	146.6	147.4	180.7	181.7	224.2
D	147.3	192.8	210	293.6	297.6	358.5
Port	24	37	49	64	79	98
∅D	110	125	150	180	190	230
b	9.6	12.7	14.3	15.9	17.5	22.3
∅g	50.8	73	92.1	104.8	127	157.2
f	2	2	2	2	2	2
∅J	15.9	15.9	19.05	19.05	19.05	19.05
N	4	4	4	4	4	8
PCD	79.4	98.4	120.7	139.7	152.4	190.5
Weight	2.000	4.100	5.900	11.400	13.150	21.500



Lehry Instrumentation & Valves Pvt. Ltd.,

"Lehry Chambers" #78 (Old No: 51)Sembudoss Street,
P.B No.1506, Parrys, Chennai - 600 001.
Phone : 044 25226995/25225185/25226187/42163823/
42625620/42625621. Fax : 044 25231715
Email : info@lehry.com / Website : www.lehryvalves.com
Branches : Chennai, Bangalore, Hyderabad, Mumbai, Noida, Pune