

## Y-TYPE STRAINER WITH DRAIN CONNECTION

LEHRY MAKE Y-Type Strainer Flanged End with Drain Connection.

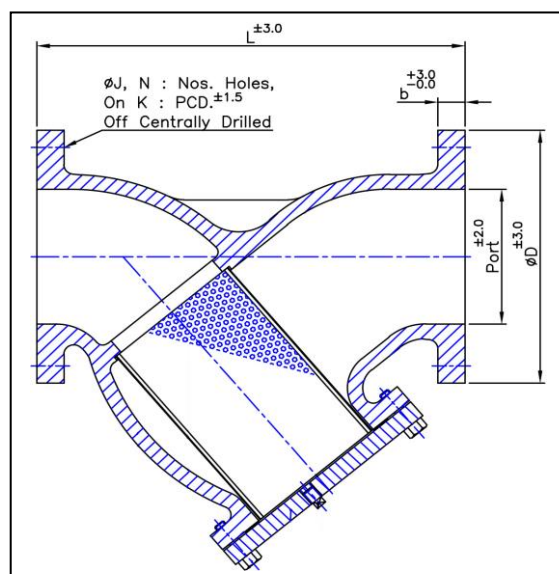
### Features :-

- ❖ Flanged Ends to BS STD / Class – 150# / DIN / IS STD.
- ❖ Stainless Steel (AISI-304) Screen / Magnetic Screen is guided in Body & Cover.
- ❖ Large Screening are Make the Strainer Efficient in Performance
- ❖ BTP : 16 Bar.
- ❖ Size : 40 – 600mm.



### Specifications :-

Description	Material
Body	C.I. IS 210 Gr. FG200
	ASTM A 216 Gr. WCB.
	ASTM A 351 Gr. CF8 / CF8M
Screen	SS (AISI 304 /316)
Gasket	Natural Rubber / CAF
Stud & Nut	Carbon Steel (ASTM A193 Gr. B 7)
Drain Plug	STD ( Optional)
Mesh Hole Dia CI	Size: 50mm – 300mm : 1mm
	Size: 350mm – 600mm : 0.5mm
Mesh Hole Dia WCB	Size: 50mm – 100mm : 1mm
	Size: 125mm – 600mm : 0.5mm

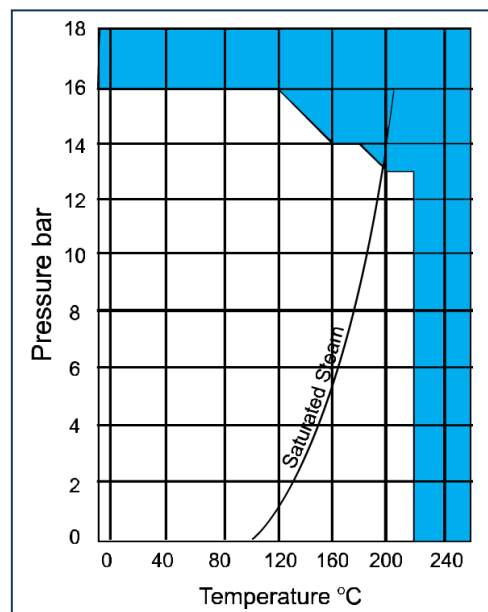


### Dimensions :-

Size	Port	L	ØD	b	ØJ	N	K:P.C.D
15	13	108	90	10	15.9	4	60.3
20	19	117	100	10.9	15.9	4	69.9
25	25	125	110	11.6	15.9	4	79.4
32	32	141	115	13.2	15.9	4	88.9
40	38	165	125	14.7	15.9	4	98.4
50	51	206	150	16.3	19.05	4	120.7
65	64	220	180	17.9	19.05	4	139.7
80	76	244	190	19.5	19.05	4	152.4
100	102	293	230	24.3	19.05	8	190.5
125	127	360	255	24.3	22.2	8	215.9
150	152	408	280	25.9	22.2	8	241.3
200	203	447	345	29	22.2	8	298.5
250	254	545	405	30.6	25.4	12	362
300	305	578	485	32.2	25.4	12	431.8

### Note:

- ❖ Drain Valve Connection (As per requirement and the Charges will be extra)



### Lehry Instrumentation & Valves Pvt. Ltd.,

"Lehry Chambers" #78 (Old No: 51) Sembudoss Street,

P.B No.1506, Parrys, Chennai - 600 001.

Phone : 044 25226995/25225185/25226187/42163823/

42625620/42625621. Fax : 044 25231715

Email : info@lehry.com / Website : www.lehryvalves.com

Branches : Chennai, Bangalore, Hyderabad, Mumbai, Noida, Pune