



LEHRY VALVES

Where flow and pressure meets quality

UL & FM APPROVED - OS&Y TYPE GATE VALVE F/E- PN20

LEHRY MAKE UL & FM Approved OS&Y Type Gate Valve Flanged End are suitable for water are Coated with Epoxy resin

Features:

- ❖ Body, Bonnet, and wedge made of high strength ductile iron per ASTM A536 65-45-12.
- ❖ Interior and exterior of the valves are fusion bond epoxy coated.
- ❖ Each valve is equipped with a hand-wheel that indicates direction of opening.
- ❖ Packing is constructed of high quality graphite.
- ❖ Operating stems are made of Stainless steel.
- ❖ Wedge nuts are made of AISI 304 stainless steel.
- ❖ Flanged ends are in accordance with ANSI B16.1, Class 125 or ASME/ANSI B16.42 Class 150

Applications:

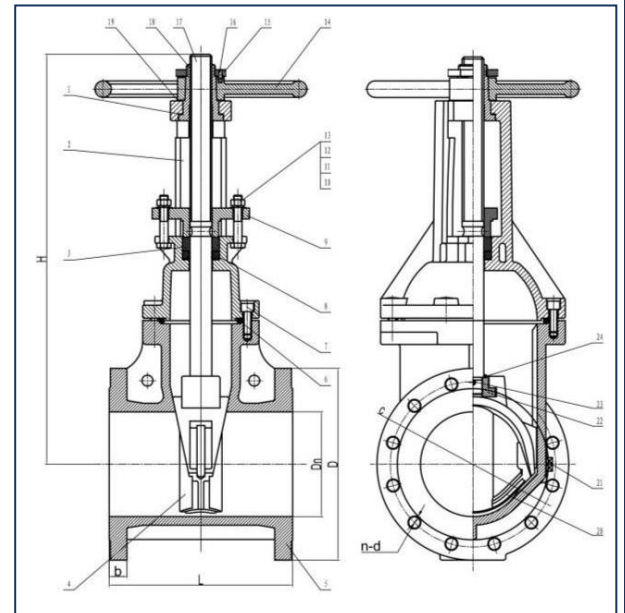
- ❖ General Circuit water industries
- ❖ Flow Shut Off or Regulating Function in sectors including water supply of Fire Fighting.

Technical Specification

- ❖ Design Standard : AWWA C509
- ❖ Max. Working Pressure: PN 20 Bar (Max. Test Pressure : PN 30Bar)
- ❖ Application : Indoor and Outdoor Use
- ❖ Face to Face Standard : ASME B16.10
- ❖ Electrostatic spraying Both Inside & Outside of the Body

Valve Specifications:

SL No	Parts	Material
1	Gasket	C95400
2	Bonnet	DI (ASTM A536)
3 & 8	Packing	Graphite
4	Disc	EPDM + DI
5	Body	DI (ASTM A536)
6	Sealing Ring	EPDM
7 & 12	Bolt	Steel
9	Gland	DI
10,11 & 13	Nut, Flat Washer & Spring Washer	Steel
14 & 20	Hand Wheel & Skeleton	DI
15 & 18	Lock Nut & Stem Nut	C95400
16 & 17	Location Screw & Stem	SS.304
19 & 21	Gasket & Plug	C95400
22	Lifting Nut	CF8M
23	Pin	SS304
24	Sealing Ring	EPDM



Dimensions

(All Dimensions are in mm)

Size	Inc MM	2 ½"	3"	4"	5"	6"	8"	10"	12"
		65	80	100	125	150	200	250	300
L		190	203	229	254	267	292	330	356
D		190	210	255	280	320	380	445	520
C		149	168	200	235	270	330	387	451
n-d		8-Ø22	8-Ø22	8-Ø22	8-Ø22	12-Ø22	12-Ø25	16-Ø29	16-Ø32
b		17.5	19.1	24	24	25.4	28.6	30.2	31.8
H		370	420	447	547	607	754	890	1031

LEHRY INSTRUMENTATION & VALVES PVT. LTD

"Lehry Chambers" #78 (Old No.51) Sembudoss Street,
PB No. 1506, Parys Chennai - 600 001.

Chennai, Bangalore, Hyderabad, Vishakapatnam, Kolkata, Mumbai, Noida.
: 044-25226995, 25225185, 25226187

: info@lehry.com



: Chennai, Jalandhar, Ahmedabad.
: www.lehryvalves.com