



# LEHRY VALVES

Where flow and pressure meets quality

## BRASS BALL VALVE

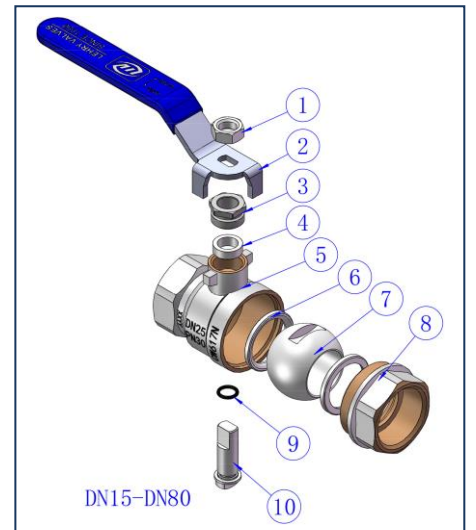
LEHRY Forged Brass ball Valve Screwed End. Suitable for domestic water services, heating, air-conditioning plants and compressed air systems

- ❖ Female/Female threads.
- ❖ Flat lever handle with decromet Plate for Anti Rust.
- ❖ Body in nickel-plated brass.
- ❖ Minimum and maximum working temperatures: -20°C, 120°C in absence of steam.
- ❖ Threads ISO228 (equivalent to DIN EN ISO 228 and BS EN ISO 228).

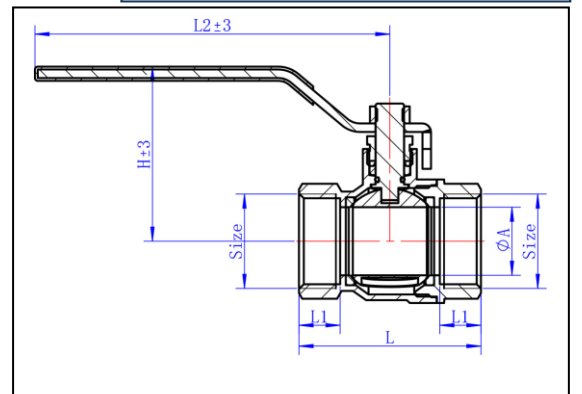
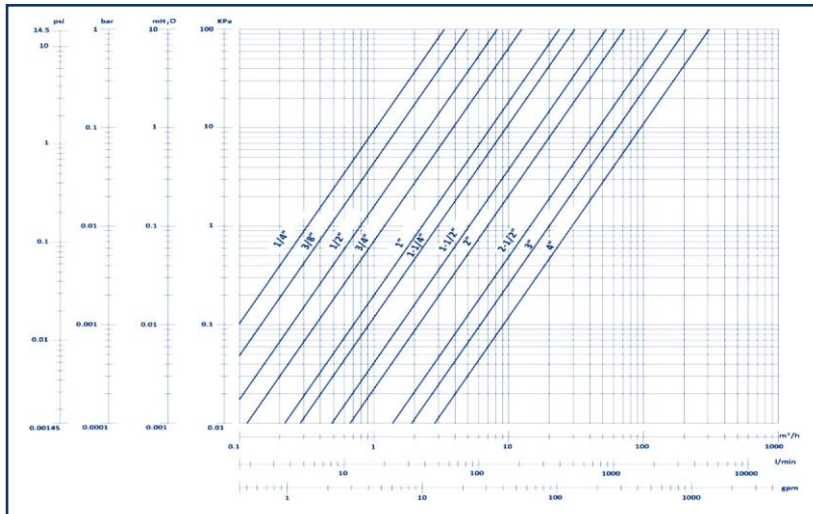


### Specifications:

SL. No	Description	Material
1	Nut	Steel Decromet Plated to prevent Corrosion
2	Handle	Steel Decromet Plated to prevent Corrosion
3	Pressing Cap	Brass with Nickel Plated
4	Packing	PTFE
5	Body	CW617N Brass in Nickel Plated (Forged Brass)
6	Seat	PTFE
7	Ball	CW617N Brass with Hard Chrome Plated
8	Bonnet	CW617N Brass in Nickel Plated (Forged Brass)
9	O-Ring	EPDM
10	Stem	CW617N Brass with Nickel plated



Typical Chemical Composition of Brass Valves								
Standard	Cu	Pb	Ni	Sn	Fe	Al	Mn	Zn
CW617N	58.9	2.02	0.059	0.196	0.285	0.026	0.004	Remainder



### Dimensions

(All Dimensions are in mm)

SIZE	DN	ØA	L	L1	L2	H	L3	H1	Weight(g)
1/4"	8	6.35	42	10	83.5	44.8	10	8.5	189
3/8"	10	9.52	42	10	83.5	44.8	10	8.5	189
1/2"	15	14.8	49	11.5	98.5	49	11	8.8	189
3/4"	20	19	54	12	98.5	53	11	8.8	270
1"	25	24	64	14.5	125	61.5	13	10	411
1-1/4"	32	30	75.5	16	140	79.5	15.5	11	615
1-1/2"	40	37	89	17.5	140	81	16	11.5	931
2"	50	45	97	17.5	165	89	21	16.8	1390
2-1/2"	65	62	133.5	25	236	117	24	18	3083
3"	80	75	151.5	26.5	283	127	31	23	4263
4"	100	96	170	24.5	310	150	35	28	4925

### Hydraulic Test Pressure

- Size: 8mm – 25mm  
B.T.P : 45 Bar  
S.T.P : 30 Bar
- Size: 32mm – 50mm  
B.T.P : 37.5 Bar  
S.T.P : 25 Bar
- Size: 65mm – 100mm  
B.T.P : 24 Bar  
S.T.P : 16 Bar

LEHRY INSTRUMENTATION & VALVES PVT. LTD  
"Lehry Chambers" #78 (Old No.51) Sembudoss Street,  
PB No. 1506, Parys Chennai - 600 001.



📍: Chennai, Bangalore, Hyderabad, Vishakapatnam, Kolkata, Mumbai, Noida.  
☎: 044-25226995, 25225185, 25226187

📍: Chennai, Jalandhar, Ahmedabad.  
🌐: www.lehryvalves.com

✉: info@lehry.com