

## BRASS Y - TYPE STRAINER

**LEHRY MAKE** Brass Y-Type Strainer Screwed End, Suitable for Domestic Water Services, heating and Air Conditioning Plants. Brass Body F/F Threads with Inspector Plug.

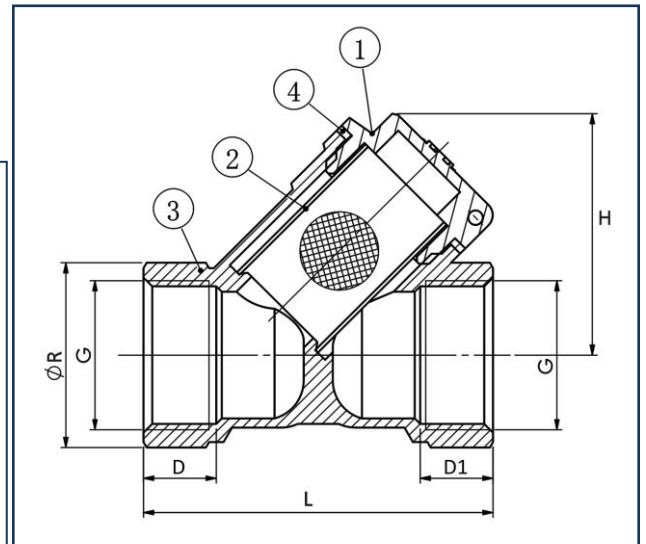
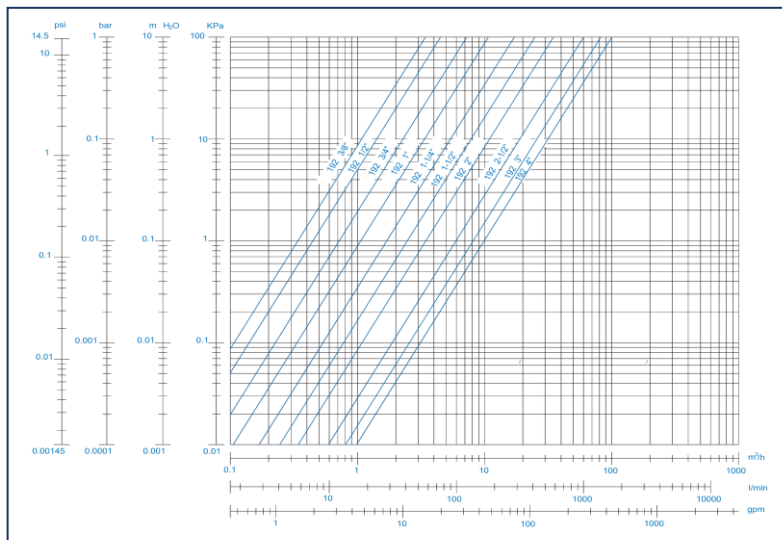
Min. & Max. Working Temp. : -20°C to 110°C  
 Filtration Degree 3/8" – 1" : 400µm  
 1 ¼ -2" : 500µm  
 2 ½- 4" : 600µm  
 Threads ISO-228/1 DIN/BS STD.  
 Pressure Rating : 3/8" - 2" – 20 Bar  
 : 2 ½" – 4" – 16 Bar



**Specification :-**

SL.No	Description	Materials
1	Cap	HPB58-2A (Size : ½" – 1 ½") CW617N (Size:2" – 4")
2	Mesh	201 (Size : ½" – 1 ½") Stainless Steel (Size:2" – 4")
3	Body	HPB58-2A (Size : ½" – 1 ½") CW617N (Size:2" – 4")
4	Gasket	Red Hard Paper / Gasket

**Diagram :-**



**Dimensions :-**

(All Dimensions are in mm)

Size		L	H	D	D1	G	ØR	Weight
Inch	DN							
1/2"	15	48	33	10	10	15	25.5	82G
3/4"	20	59	42	12	12	20	31.5	145G
1"	25	64	50	12	12	25	38.5	203G
1-¼"	32	81	60	13.5	13.5	32	48	402G
1-½"	40	106	75	20	20	40	55	875G
2"	50	126	90	22	22	50	68	1075G
2-½"	65	140	110	21	21	65	90	1940G
3"	80	152	122	23.5	23.5	80	105	2460G
4"	100	171	145	27	27	100	133	3950G

**Lehry Instrumentation & Valves Pvt. Ltd.,**

"Lehry Chambers" #78 (Old No: 51)Sembudoss Street,  
 P.B No.1506, Parrys, Chennai - 600 001.  
 Phone : 044 25226995/25225185/25226187/42163823/  
 42625620/42625621. Fax : 044 25231715  
 Email : info@lehry.com / Website : www.lehryvalves.com  
 Branches : Chennai, Bangalore, Hyderabad, Mumbai, Noida, Pune