



LEHRY VALVES

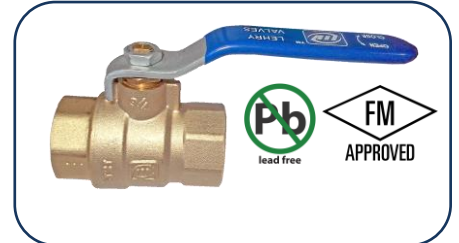
Where flow and pressure meets quality

LEAD FREE BRASS BALL VALVE

Committed To A Better Environment

LEHRY MAKE Lead Free Brass ball Valve Screwed End, which is recommended for Green Building Certification. Suitable for domestic water services,

- ❖ Female/Female threads.
- ❖ Flat lever handle with decromet Plated for Anti Rust.
- ❖ C46500 Lead Free Brass.
- ❖ Minimum and maximum working temperatures: -20°C, 120°C in absence of steam.
- ❖ Threads ISO228 (equivalent to DIN EN ISO 228 and BS EN ISO 228).

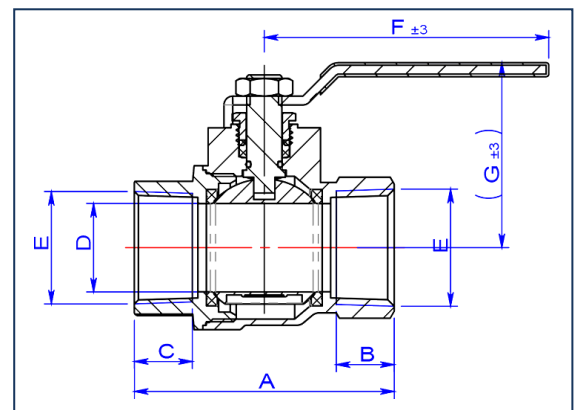
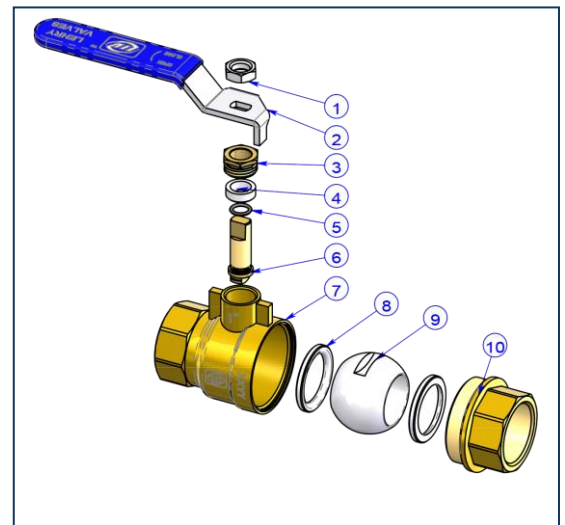
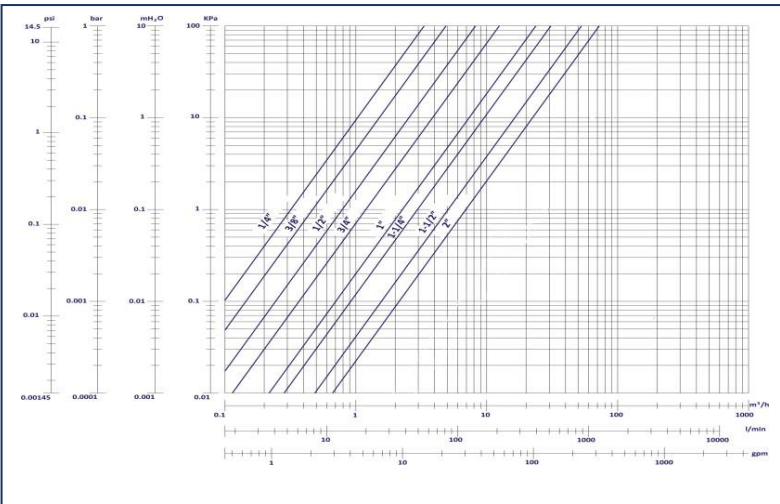


Valve Specifications:

SL.N.	Description	Material	Qty
1	Hex- nut	Steel Decromet Plated to prevent Corrosion	1
2	Handle	Steel Decromet Plated to prevent Corrosion	1
3	Packing Nut	Local Brass	1
4	Packing Gland	PTFE	1
5	O-Ring	EPDM	1
6	Stem	1/2" - 3/4" C46500 1" - 2" C36000	1
7	Body	C46500	1
8	Seat	PTFE	2
9	Ball	1/4"-1" C46500 1 1/4" - 2" Stainless Steel	1
10	Bonnet	C46500	1

Typical Chemical Composition of Lead Free Brass Valves

Standard	Cu	Al	Sn	Ni	As	Pb	Fe	Zn	Ot.E
C46500	62	0	1	0	0.06	0.2	0.1	Balance	0.4



Dimensions

(All Dimensions are in mm)

SIZE	DN	A	B	C	ØD	E	F	G
1/4"	8	44.5	11.5	11.5	10	1/4"	81	36
3/8"	10	44	11.5	11.5	10	3/8"	81	36
1/2"	15	55	15	15	14.5	1/2"	95	42.2
3/4"	20	62.4	15.5	15.5	19	3/4"	95	48.2
1"	25	74	18	18	25	1"	110	58.5
1-1/4"	32	86	19	19	32	1 1/4"	130	68.5
1-1/2"	40	95.2	19.3	19.3	39	1 1/2"	130	68.5
2"	50	109	20	20	49.5	2"	161	88.5

Hydraulic Test Pressure

Size: 8mm – 25mm –
B.T.P.: 45 Bar
S.T.P.: 30 Bar

Size: 32mm – 50mm
B.T.P.: 37.5 Bar
S.T.P.: 25 Bar

LEHRY INSTRUMENTATION & VALVES PVT. LTD

"Lehry Chambers" #78 (Old No.51) Sembudoss Street,
PB No. 1506, Parrys Chennai - 600 001.

Chennai, Bangalore, Hyderabad, Vishakapatnam, Kolkata, Mumbai, Noida.
: 044-25226995, 25225185, 25226187

: info@lehry.com



: Chennai, Jalandhar, Ahmedabad.
: www.lehryvalves.com