



LEHRY VALVES

Where flow and pressure meets quality

MINI BALL VALVE (F x F)

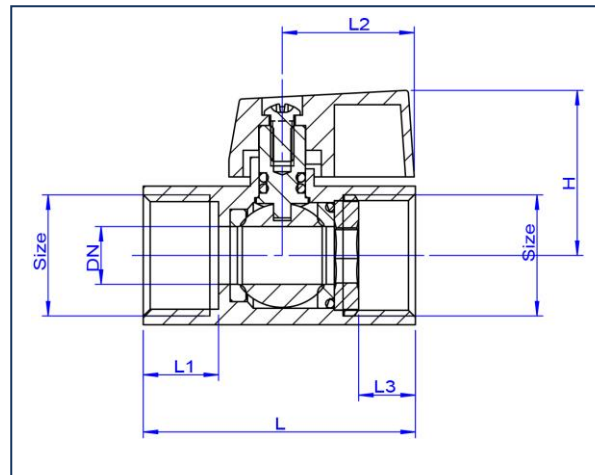
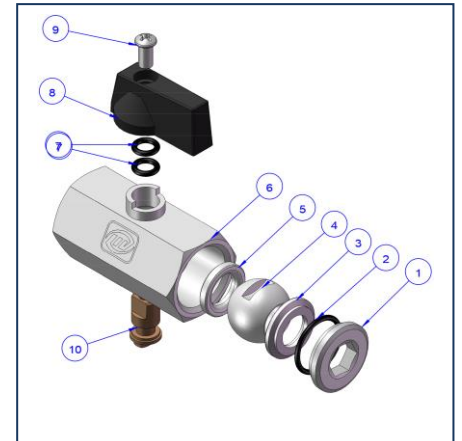
LEHRY MAKE Brass Body CW617N Mini Ball Valve Screwed End, Female x Female. Suitable for domestic water services.

- ❖ Forged Brass CW617N
- ❖ Sand Blasted and Chrome Plated Finish
- ❖ Threaded to(F) BSP BS 21/ISO 228



Specifications:

SL. No	Description	Material
1	Locking Cap	1/4" Brass with Chrome Plated 3/8" – 1/2" Brass
2	O-Ring	NBR
3	Seat	PTFE
4	Ball	CW617N Brass with Chrome Plated
5	Seat	PTFE
6	Body	CW617N Brass with Chrome Plated
7	O-Ring	NBR
8	Handle	Aluminium Alloy
9	Screw	Q235 Plating Color Zinc
10	Stem	CW617N Brass with Nickel plated



Dimensions

(All Dimensions are in mm)

SIZE	DN	L	L1	L2	L3	H	PN	Weight(g)
1/4"	Ø8	40	10	22.8	0	27	16	93
3/8"	Ø10	40	10	232.8	9.5	27	16	81
1/2"	Ø15	47	13	22.8	9.8	28.6	16	123

Hydraulic Test Pressure

B.T.P : 24 Bar
S.T.P : 16 Bar

LEHRY INSTRUMENTATION & VALVES PVT. LTD

"Lehry Chambers" #78 (Old No.51) Sembudoss Street,
PB No. 1506, Parys Chennai - 600 001.

📍: Chennai, Bangalore, Hyderabad, Vishakapatnam, Kolkata, Mumbai, Noida.
☎ : 044-25226995, 25225185, 25226187

✉ : info@lehry.com



📍: Chennai, Jalandhar, Ahmedabad.
🌐 : www.lehryvalves.com